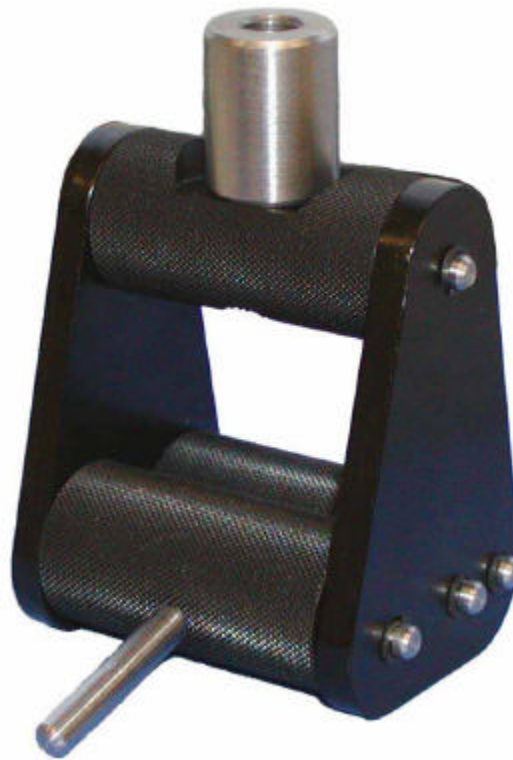


Cam Grips / GR-30,2000

For thin materials

Easy to grip



GR-2000

[Applications]

The cam grips are installed on the Imada's force gauge for tension test of various test pieces.

[Feature]

They are suitable for checking thin materials.

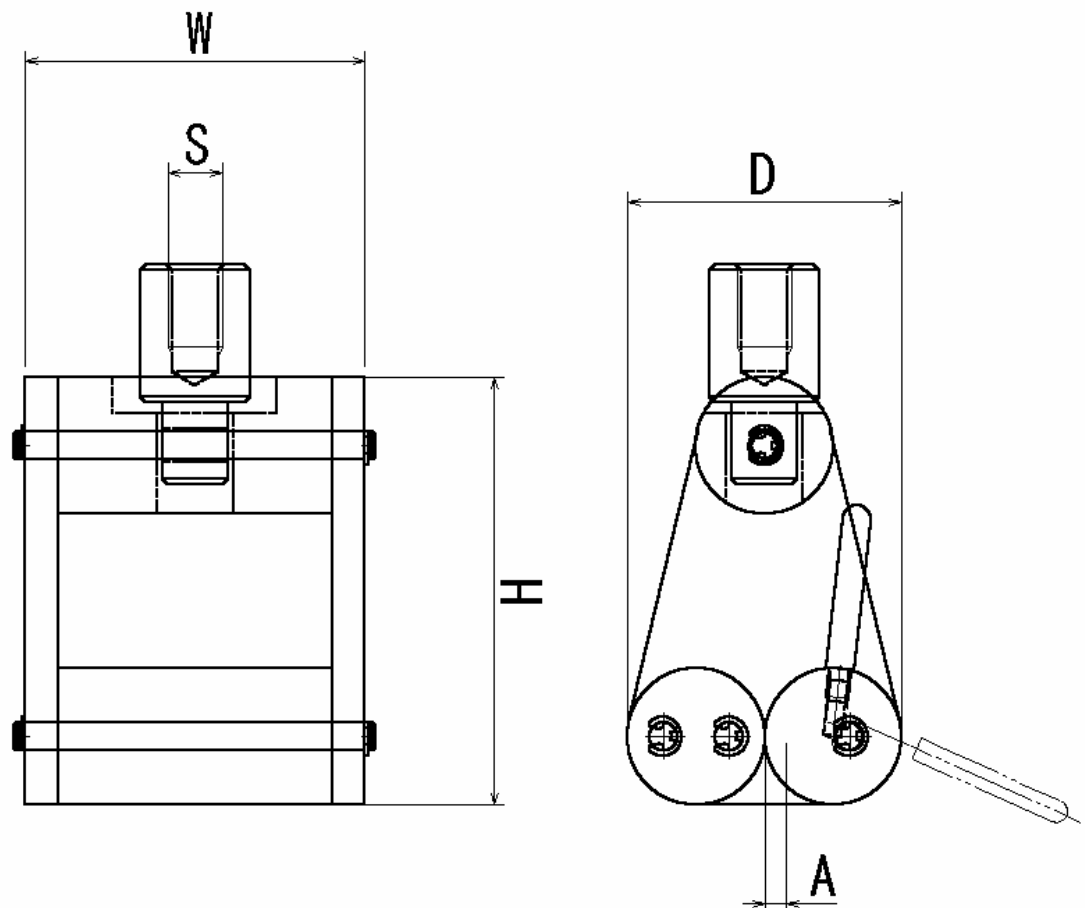
Samples will be tied automatically when the samples are pulled. (Cam system)

[Specifications]

| Model | GR-30 | GR-2000 |
|----------------------|-------------------------------|-------------------------|
| Type | Normal | High Capacity |
| Capacity | 500N | 2000N |
| Mounting Screws[S] | M6P1 | M10P1.5 |
| Weight | 180 g | 870 g |
| Dimension (W×H×D) | 36×64×22 mm | 62×98.5×50mm |
| Opening width [A] | 2mm | 4mm |
| With Force Gauge | PS/FB/DPS/DPX/DPZ 20N~500N | PSH/DPSH/DPZH ~2000N |

* The appearance of GR-30 and GR-2000 is different.

[Dimension]



[Note]

- Particular materials and shape can not be used.
- Combining with Imada's test stand, more stable measuring becomes possible.
- All information is subject to change without prior notice.

A2B-Lab

Rue Ibnou Katir - Résidence El Beida, Imm. B, Apt. 22
20380 Casablanca - Maroc Tél: +212 (0)5 22 98 66 19
Email: contact@a2b-lab.ma

www.a2b-lab.ma

